





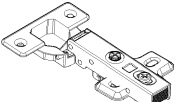

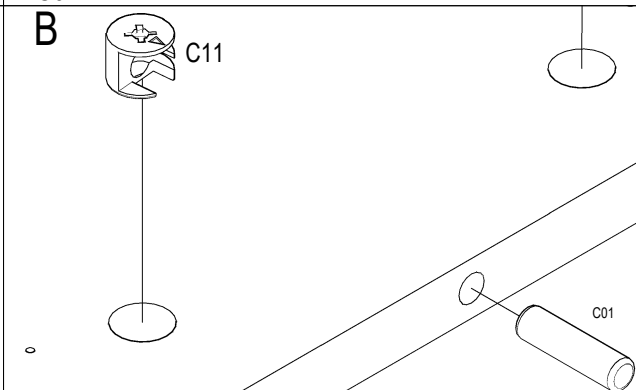
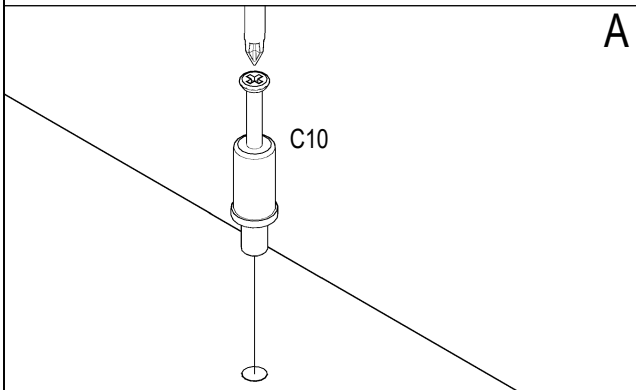
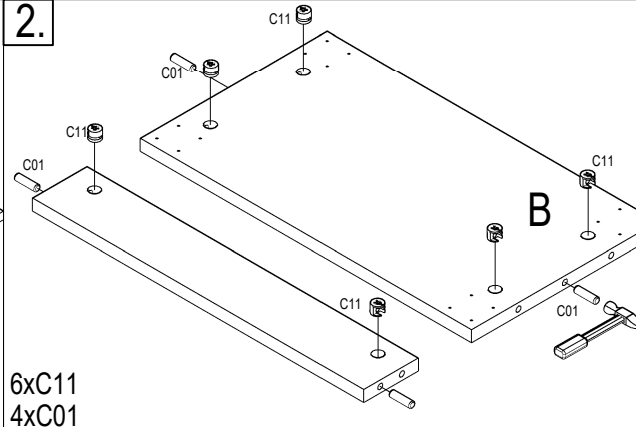
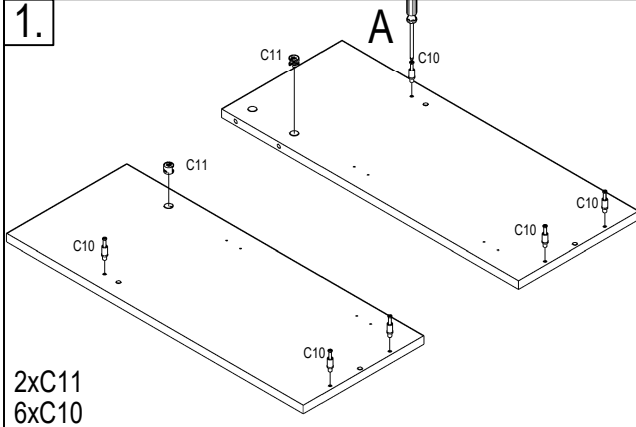
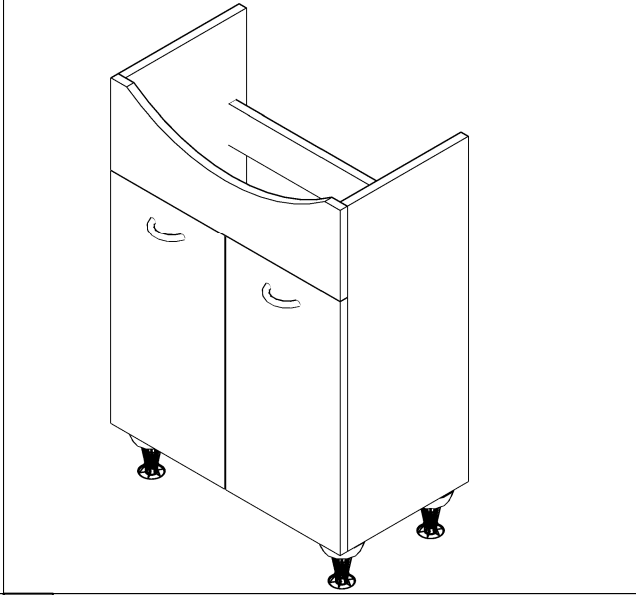
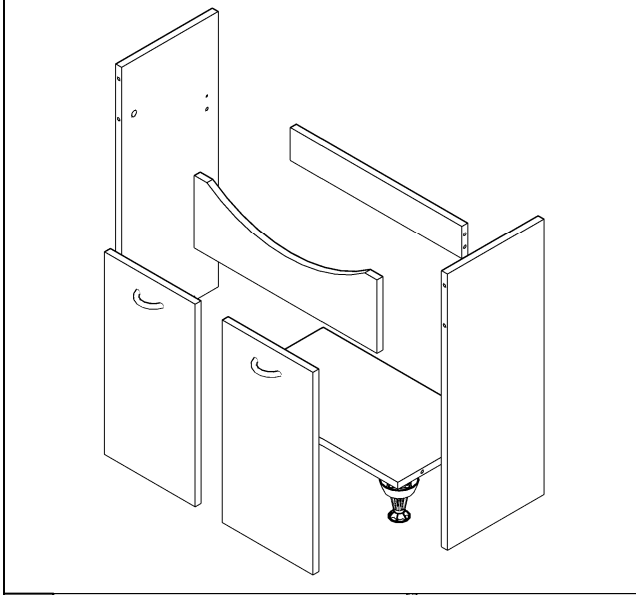
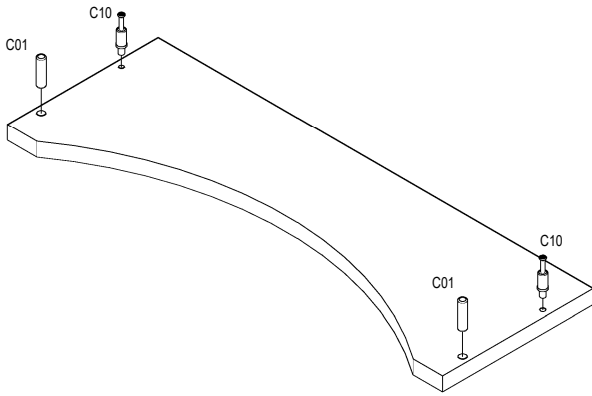


NR.5

 <p>3.5x16</p> <p>S02 x32</p>	 <p>M4x22</p> <p>S11 x4</p>	 <p>C01 x6</p>	 <p>C10 x8</p>	 <p>C11 x8</p>	 <p>P01 x4</p>
 <p>B01 x4</p>	 <p>M01 x2</p>				

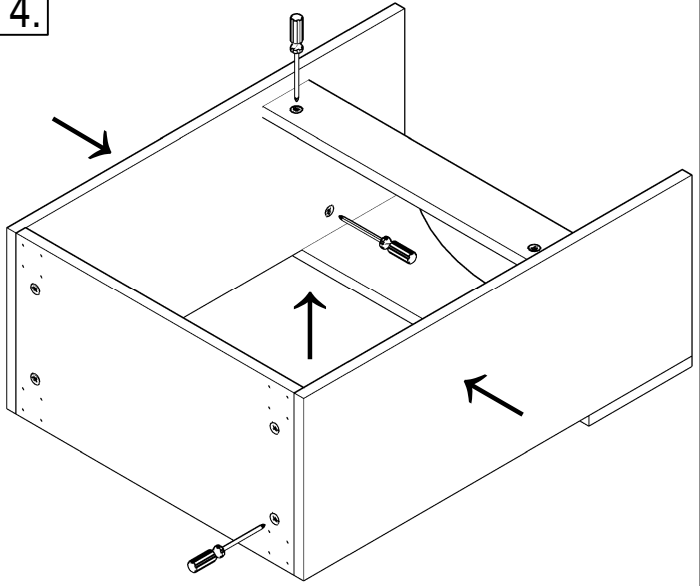


3.

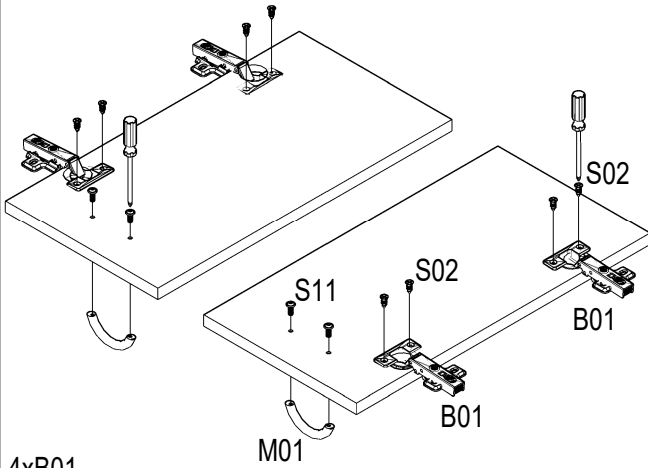


2xC10
2xC01

4.

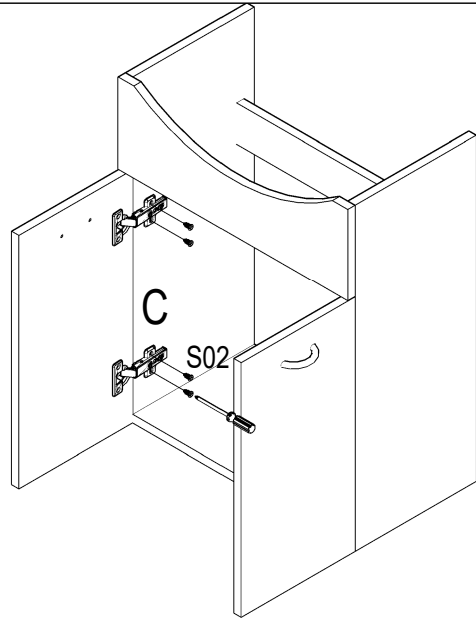


5.



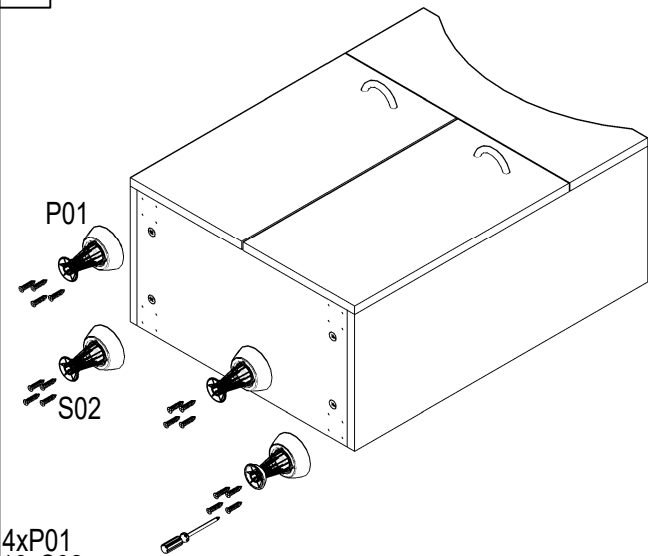
4xB01
2xM01
4xS11
8xS02

6.

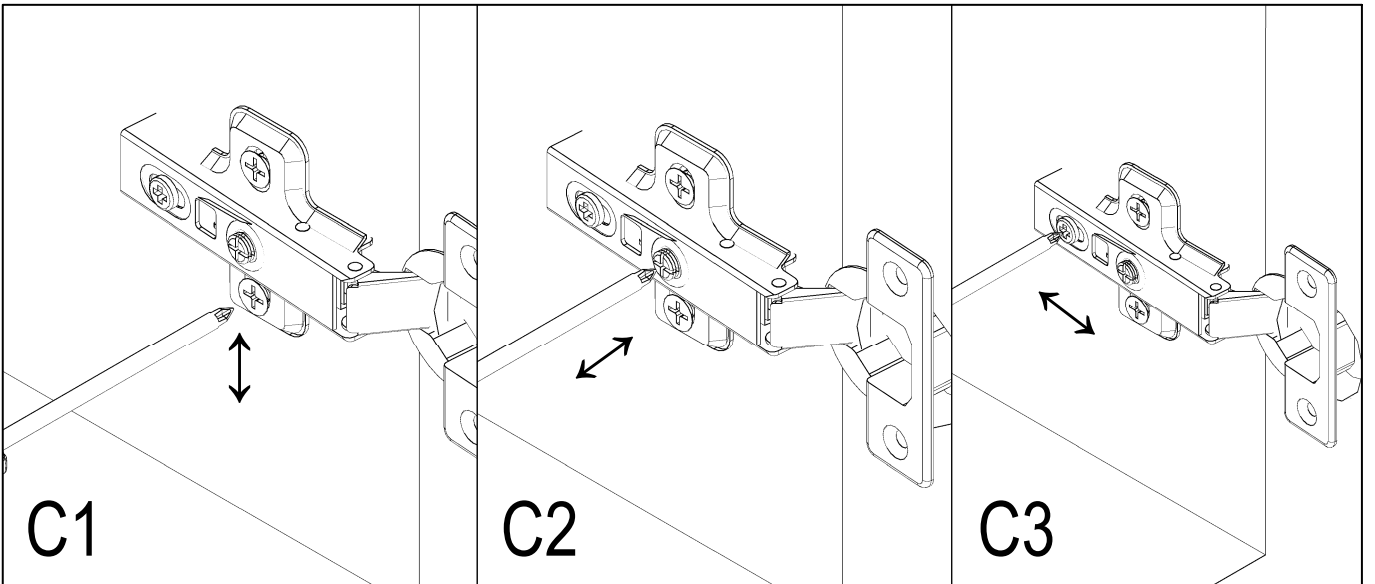


8xS02

7.



4xP01
16xS02



C1

C2

C3

HEIGHT ADJUSTEMENT SIDE ADJUSTEMENT DEPTH ADJUSTEMENT